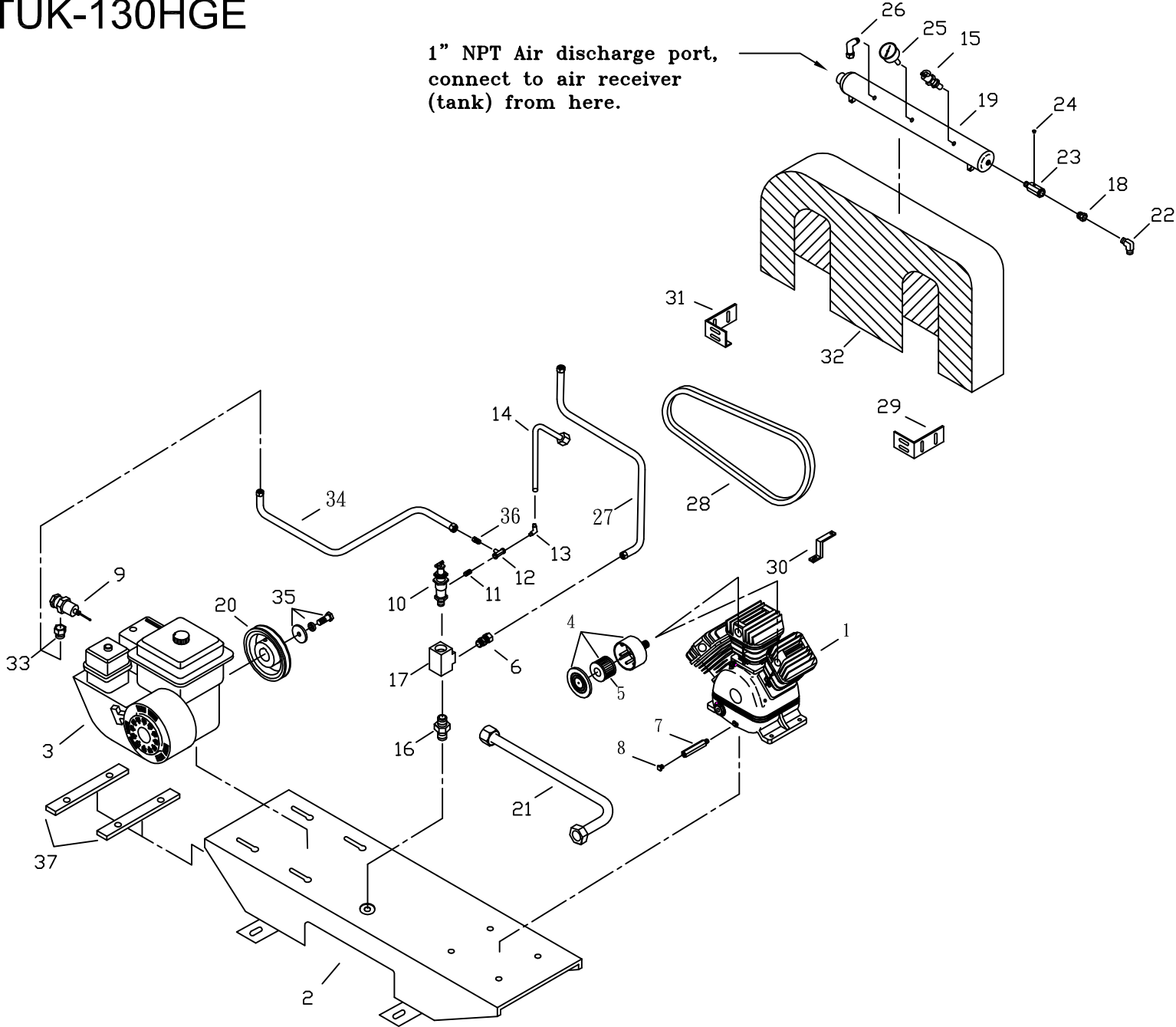


# MODEL: TUK-130HGE

1" NPT Air discharge port,  
connect to air receiver  
(tank) from here.



## PARTS LIST

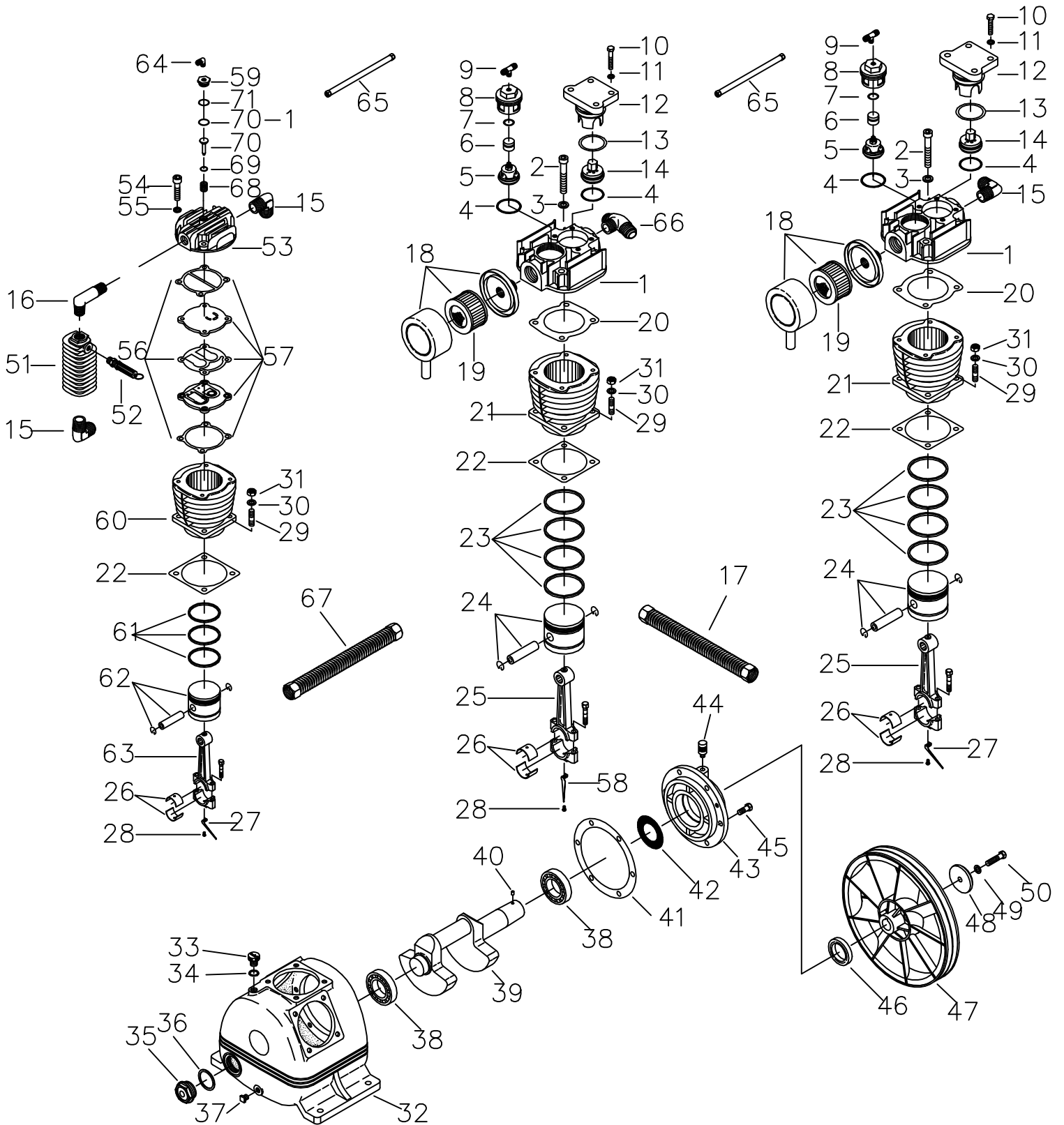
Model: TUK-130HGE

VER.: VC-001

REF. NO.	PARTS ID.	DESCRIPTION	QUANTITY
1	TUK-50	PUMP	1.00
2	4001-30H2-TP	BASE PLATE	1.00
3	028-130HE	ENGINE: HONDA 13 HP W/ STARTER	1.00
4	2140009A	AIR FILTER ASSEMBLY (INCLUDING ELEMENT)	2.00
5	1801 (2142002)	FILTER ELEMENT	2.00
6	035-03RN02MN-00	STRAIGHT TUBE FITTING	1.00
7	2305010	OIL DRAIN TUBE	1.00
8	2N33-002	OIL PLUG	1.00
9	031-H130P175RC	ENGINE THROTTLE CONTROL (ACTUATOR)	1.00
10	041-PV175MN-000	PILOT VALVE	1.00
11	035-01N-C00	CLOSE NIPPLE	1.00
12	067-01FFFN-00	TEE	1.00
13	024-02RN01MN-00	ELBOW W/ SLEEVE RING TUBE FITTING	1.00
14	063-CU01X235	TUBE (PILOT VALVE - PUMP HEAD UNLOADER, 9.25" L)	1.00
15	84006010	PRESSURE RELIEF VALVE	1.00
16	2N01-036	NIPPLE	1.00
17	067-02FFFN-00	TEE	1.00
18	050-10MN06FN	REDUCE BUSHING	1.00
19	3125013	5 WAY MANIFOLD	1.00
20	2AH49	PULLEY	1.00
20	048A-H10SS-000	PULLEY BUSHING	1.00
21	2T02-060900	DISCHARGE TUBE	1.00
22	2N06-06T06H	3/4" ELBOW w/ FLARE TUBE FITTING	1.00
23	CV1010M	CHECK VALVE	1.00
24	046-01N-SH00	PLUG	1.00
25	2D12-25D20K	PRESSURE GAUGE	1.00
26	024-03RN02MN-00	ELBOW W/ SLEEVE RING TUBE FITTING	1.00
27	063-NL03X740	TUBE (#6 - #26, 29" L)	1.00
28	2N31-A72	BELT A72	2.00
29	3427029	BRACKET - RIGHT	1.00
30	3427015	BRACKET - BELT GUARD to PUMP	1.00
31	3427009	BRACKET - LEFT	1.00
32	3426036	BELT GUARD	1.00
33	070-0108N-01	NUT	1.00
33	070R-01N-01	SLEEVE	1.00
34	063-NL01X865	TUBE (PILOT VALVE - PNEUMATIC THROTTLE CONTROL, 34" L)	1.00
35	068-03N24X10H5	BOLT	1.00
35	066-I03-L00	LOCK WASHER	1.00
35	066-I03XO14-F00	FENDER WASHER	1.00
36	035-02RN01MN-00	STRAIGHT TUBE FITTING	1.00
37	3427129	ENGINE MOUNTING BRACKET	2.00

# MODEL : TUK50

NO: MP-0107A



## TUK50 BARE PUMP PARTS LIST

NO: MP-0107A

REF. NO	DESCRIPTION	PART NO.	QTY.	REF. NO	DESCRIPTION	PART NO.	QTY.
1	Cylinder head	3101048	2	37	Plug - Oil draining	2N33-002	1
2	Hex socket head bolt	2B01-M10*055	8	38	Bearing	2N35-6306	2
3	Split lock washer	2B33-M10	8	39	Crankshaft	3304025	1
4	Washer - Inlet / Outlet Valve	2B31-001	4	40	Pulley key	2N47-63*09	1
5	Inlet valve assembly	3B12-PU23	2	41	Gasket - Rear bearing end	2G06-002	1
6	Piston - Head Unloader	2113009	2	42	Oil mesh	2352002	1
7	O-ring	2N52-P18V	2	43	Rear bearing end	3311003	1
8	Inlet valve cap	3110008	2	44	Breather	2321008	1
9	TEE - 1/8"	2N17-CW0201TW02	2	45	Hex bolt	2B00-SM10*025	6
10	Hex bolt	2B00-SM08*030	8	46	Oil seal	2N50-TC30*50*11	1
11	Split lock washer	2B33-M08	8	47	Pulley	3PBF-145A230	1
12	Outlet valve cap	3126004	2	48	Washer	2B34-13*52*14	1
13	O-Ring	2N52-G45V	2	49	Split lock washer	2B33-M12	1
14	Outlet valve assembly	3B11-NPP23	2	50	Hex bolt	2B00-SM12*050	1
15	Elbow - 3/4"	2N06-06T06H	3	51	Intercooler	3125001	1
16	Elbow - 3/4"	2N06-06T06T85	1	52	Pressure relief valve	2406007	1
17	Discharge tube	3B2-06*215	1	53	Cylinder head	3101055	1
18	Air filter assembly	2140009A	2	54	Hex socket head bolt	2B01-M06*040	4
19	Filter element	1801 (2142002)	2	55	Split lock washer	2B33-M06	4
20	Gasket - Cylinder head	2G01-007	2	56	Gasket kit - Valve plate (HP)	3B71-PK20	1
21	Cylinder	3201015	2	57	Valve plate assembly (HP)	3B13-PK20	1
22	Gasket - Cylinder	2G04-009	3	58	Oil splasher	2317018	1
23	Piston ring kit	3B32-80	2	59	Unloader Cap (Bushing)	2B26-003	1
24	Piston kit	3B31-80L	2	60	Cylinder (HP)	3201012	1
25	Rod	2315018	2	61	Piston ring kit (HP)	3B32-65	1
26	Bearing (Rod Bushing)	2316001	6	62	Piston Kit (HP)	3B31-T65	1
27	Oil splasher	2317019	2	63	Rod (HP)	2315022	1
28	Bolt (+)	2B02-FM5*010	3	64	Elbow - 1/8"	2N16-C01TW02	1
29	Stud screw	2B11-003	12	65	Tube - Head Unloader	3B2-02*450	2
30	Split lock washer	2B33-M10	12	66	Tee	2N09-06H06T06H2	1
31	Hex nut	2B20-FM10	12	67	Discharge tube	3B2-06*490	1
32	Crankcase	3301017	1	68	Spring - Head Unloader	2S03-001	1
33	Oil cap	2319004	1	69	O-ring	2N52-P06V	1
34	Gasket - Oil Cap	2N52-30*15	1	70	Piston - Head Unloader (HP)	2113015	1
35	Oil sight gauge	2303004	1	70-1	O-ring	2N52-P09N	1
36	Gasket - Oil sight gauge	2G11-003	1	71	O-ring	2N52-P16*3V	1